

**NEW**  
series  
EIGHT

# 8 Pressure Gauge

**Regal**  
Model: 8B KC

The New Series8 is a high quality pressure gauge designed to meet a wide range of general industrial and engineering applications.

This gauge is suitable for use on gases and liquids that do not attack brass measuring systems under industrial high vibration applications requiring damping.

## Specifications

Dial Size	Connection	Accuracy
63mm (2.5")	1/4" BSPP, BSPT or NPT	±1.6%
100mm (4")	3/8", 1/2" BSPP, BSPT or NPT	±1.0%
150mm (6")	3/8", 1/2" BSPP, BSPT or NPT	±1.0%

Restrictor Screw standard on all connections

## Mounting

- L Direct Lower (Bottom)
- B Direct Center Back
- N Direct Lower Back
- R Surface Lower (Bottom) with Back Flange
- V Flush Center Back with Front Flange
- W Flush Lower Back with Front Flange
- U Flush Center Back with U-clamp

## Scale Ranges

- 0 to 60 kPa up to 100,000 kPa
- 100/0 kPa Vacuum.
- 100/60 kPa up to 2400 kPa compound.

Options: Scales available in Bar, PSI, dual scales or to customers request.

## Pressure Element

- Phosphor Bronze Bourdon tube
- C-Type up to 6,895 kPa
- Coil Tube over 6,895 kPa

## Overload Accuracy

130% of the range.

## Accuracy Class

- As stated above
- Option: 0.5% as per EN 837-1 (150mm only)

## Environmental Rating

IP67

## Operating Temperature

- Ambient -40 up to +60°C
- Medium +60°C maximum

## Case

304 Stainless Steel, liquid fillable



## Bezel

DIN Bayonet bezel

## Window

Laminated Safety Glass

## Dial

White Anodised Aluminium marked in black

## Pointer

- Black pointer
- Options: Micro adjustable pointers
- Min or Max pointers

## Movement

Brass

## Case Filling

- Glycerine
- Option: Silicone Oil

## Safety

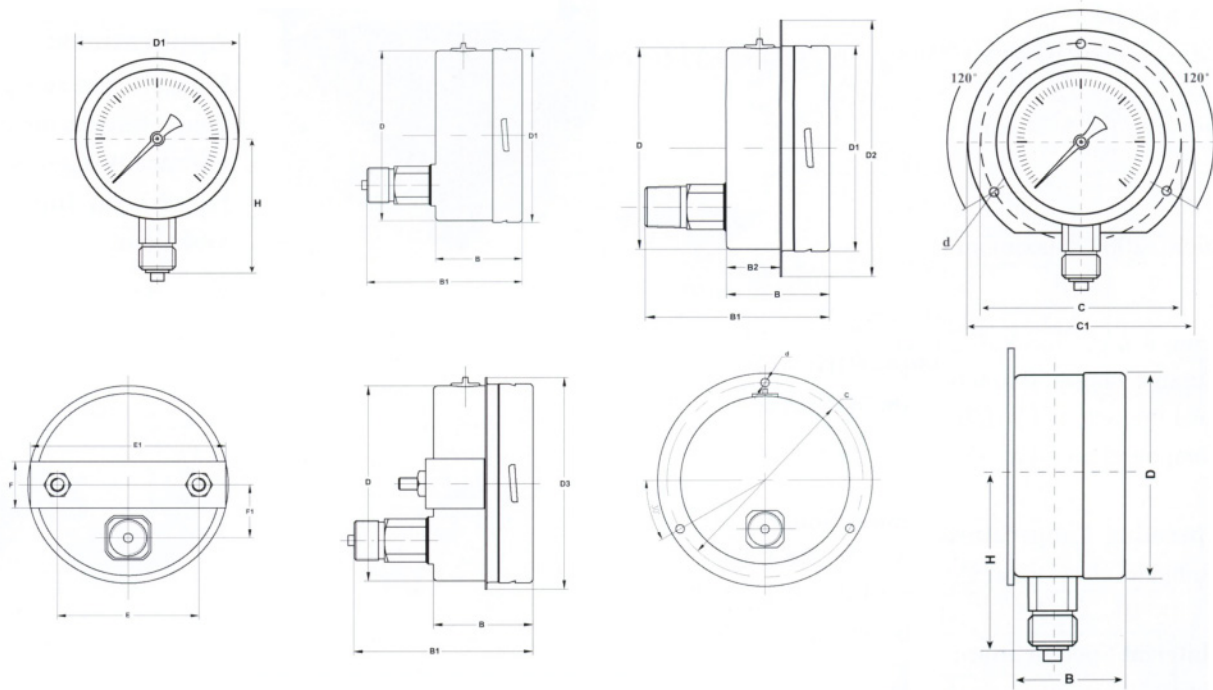
All gauges designed and manufactured in accordance with EN 837-1. All cases are fitted with a blow-out vent.

## Installation Instructions

Refer to EN 837-2

## Options

- Cleaning for Oxygen and other hazardous materials
- Electrical Contacts



Dial Size	D	D1	D2	D3	H	B	B1	C	C1	E	E1	F	F1	d
63mm (2.5")	62	64	85	-	54	34	57	Ø77	Ø85	-	-	-	-	Ø3.5
100mm (4")	99	101	128	107.5	83	50	83	Ø118.5	Ø128	76	76	25.5	29	Ø5
150mm (6")	147	149	-	-	108	50	83	Ø161	Ø181	-	-	-	-	Ø5

**Ordering Specification for Model 8BKC**

**Dial Size**

63mm	63
100mm	10
150mm	15

**Scale Type**

Pressure	P
Vacuum	V
Compound	C

**Mounting**

Direct Bottom	L
Direct Center Back	B
Direct Lower Back	N
Surface Bottom Back Flange	R
Flush Center Back Front Flange	V
Flush Lower Back Front Flange	W
Flush Center Back U Bracket	U

**Graduation**

Range	100 (example only)
Unit	kPa, Bar, PSI, dual scale

Custom Dials on request

**Options**

Dual Scale	X
Oxygen Clean	G
Refrigeration Scale	R
Temperature Scale	T

**Connection Type & Size**

Code	NPT	Code	BSPB parallel	Code	BSPT taper
2	1/2"	2B	1/2"	2T	1/2"
3	3/8"	3B	3/8"	3T	3/8"
4	1/4"	4B	1/4"	4T	1/4"
8	1/8"	8B	1/8"	8T	1/8"
X	None of the above, customer special request				

Specifications and details are accepted E&OE and subject to change without notice



JCB INSTRUMENTS PTY LTD

ABN 60 003 986 034  
P O Box 262  
497 Wentworth Avenue  
Toongabbie NSW 2146

Telephone: (612) 9896 8833  
Facsimile: (612) 9896 8500  
Web: www.jcbinst.com.au  
Email: sales@jcbinst.com.au