

NEW
series
EIGHT **8 Pressure Gauge**

Regal
Model: 8S HA

The New Series8 is a high quality pressure gauge designed to meet a wide range of general industrial and engineering applications.

This gauge is suitable for use on aggressive gases and liquids which attack brass measuring systems, or when industrial high vibration applications requiring damping.

Specifications

Dial Size	Connection	Accuracy
40mm (1.5")	1/8" BSPP, BSPT or NPT	±2.5%
50mm (2")	1/4" BSPP, BSPT or NPT	±2.5%
63mm (2.5")	1/4" BSPP, BSPT or NPT	±1.6%
100mm (4")	3/8", 1/2" BSPP, BSPT or NPT	±1.6%

Restrictor Screw standard on all connections

Mounting

- L Direct Lower (Bottom)
- B Direct Center Back
- N Direct Lower Back
- R Surface Lower (Bottom) with Back Flange
- V Flush Center Back with Front Flange
- W Flush Lower Back with Front Flange
- U Flush Center Back with U-clamp

Scale Ranges

- 0 to 60 kPa up to 100,000 kPa
- 100/0 kPa Vacuum.
- 100/60 kPa up to 2400 kPa compound.

Options: Scales available in Bar, PSI, dual scales or to customers request.

Pressure Element

- 316 Stainless Steel Bourdon tube
- C-Type up to 6,895 kPa
- Coil Tube over 6,895 kPa

Overload Accuracy

130% of the range.

Environmental Rating

IP67

Operating Temperature

- Ambient -40 up to +60°C
- Medium +200°C maximum

Case

304 Stainless Steel, liquid fillable



Bezel

304 Stainless Steel crimped ring

Window

Polycarbonate

Dial

White Anodised Aluminium marked in black

Pointer

- Black pointer
- Options: Micro adjustable pointers
- Min or Max pointers

Movement

304 Stainless Steel

Case Filling

- Glycerine
- Option: Silicone Oil

Safety

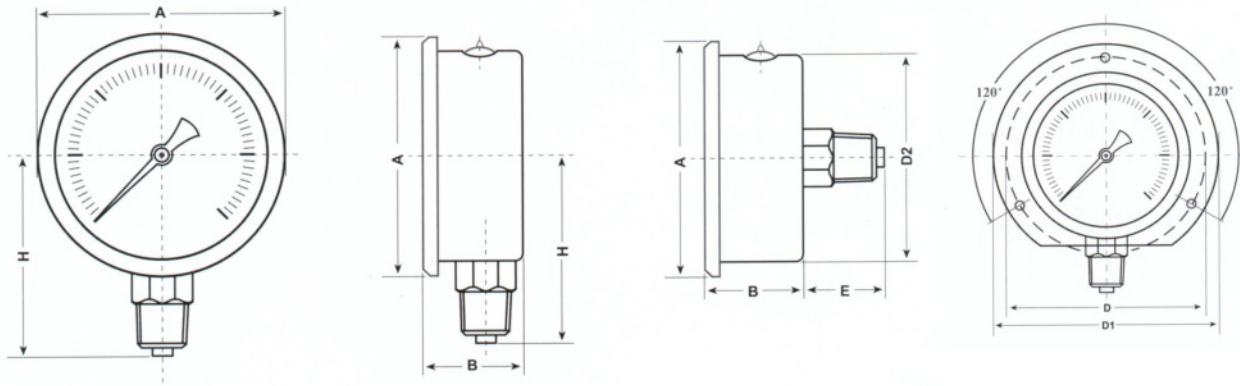
All gauges designed and manufactured in accordance with EN 837-1. All cases are fitted with a blow-out vent.

Installation Instructions

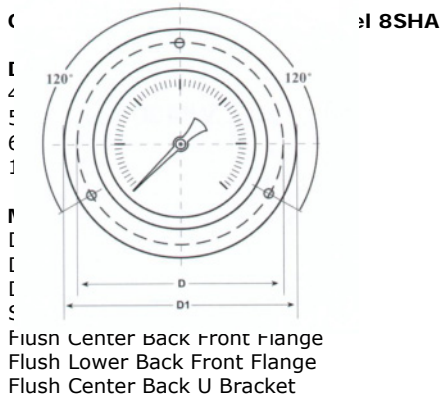
Refer to EN 837-2

Options

- Cleaning for Oxygen and other hazardous materials
- Electrical Contacts



Dial Size	A	B	H	E	D	D1	D2
40mm (1.5")	Ø46.8	24.7	44.5	19	-	-	-
50mm (2")	Ø59.3	29.7	49.5	25	-	-	-
63mm (2.5")	Ø68	29.8	54.5	25	74	88	62
100mm (4")	Ø109	35.5	74	33	118	131	98



Ø 8SHA

- 40
- 50
- 63
- 10

- L
- B
- N
- R
- V
- W
- U

Scale Type

- Pressure P
- Vacuum V
- Compound C

Graduation

- Range 100 (example only)
- Unit kPa, Bar, PSI, dual scale

Custom Dials on request

Options

- Dual Scale X
- Oxygen Clean G
- Refrigeration Scale R
- Temperature Scale T

Connection Type & Size

Code	NPT	Code	BSPPT parallel	Code	BSPT taper
2	1/2"	2B	1/2"	2T	1/2"
3	3/8"	3B	3/8"	3T	3/8"
4	1/4"	4B	1/4"	4T	1/4"
8	1/8"	8B	1/8"	8T	1/8"
X	None of the above, customer special request				

Specifications and details are accepted E&OE and subject to change without notice



JCB INSTRUMENTS PTY LTD

ABN 60 003 986 034
 P O Box 262
 497 Wentworth Avenue
 Toongabbie NSW 2146

Telephone: (612) 9896 8833
 Facsimile: (612) 9896 8500
 Web: www.jcbinst.com.au
 Email: sales@jcbinst.com.au