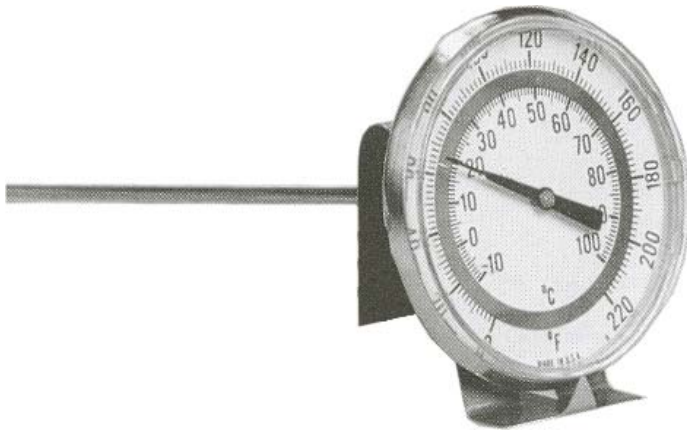


JCB Instruments Pty Ltd

Quality & Service You expect from a Supplier



Laboratory Test Thermometer

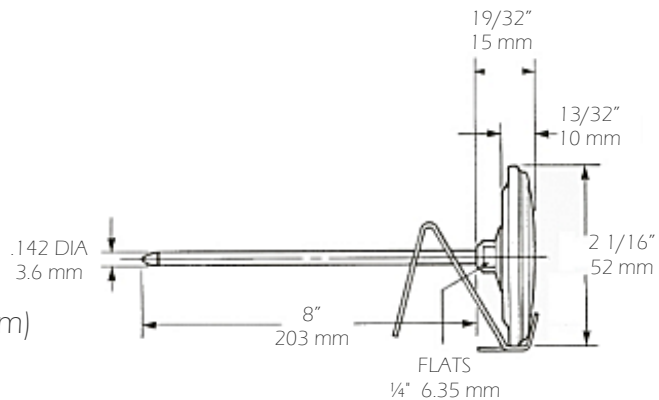


This precision thermometer is designed for use in the laboratory or in the plant where accurate readings are required. Use either as a hand held instrument or install in a pan or vessel with the tray/beaker clip provided. This thermometer can be easily recalibrated by holding the hex nut at the back of the dial firmly, immersing the stem at least 2" (50mm) in an agitated bath of known temperature and turning the case until the pointer indicates the correct temperature.

For accurate temperature readings, immerse the stem a minimum of 2" (50mm) in agitated liquid or 4" (100mm) in moving air or gas.

Specifications

- 304 stainless steel case and stem
- Hermetically sealed case
- Mirror band dial
- Knife edge pointer
- Externally adjustable
- Dual Fahrenheit-Celcius range dials
- Durable polycarbonate crystal
- Approximately scale length 4 1/2" (114mm)
- 1/2 % Accuracy at mid scale



JCB Instruments Pty Ltd
PO Box 262 497 Wentworth Ave TOONGABBIE NSW 2146
Phone: 02 9896 8833 Fax: 02 9896 8500
Email: sales@jcbinst.com.au